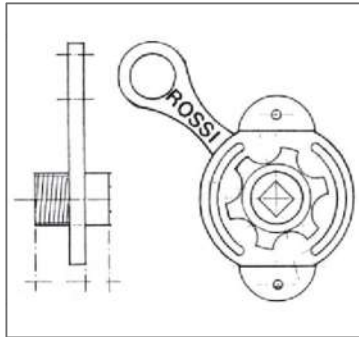


PRODUCT DATA SHEET



Features

- ✓ No more wingnuts rattling loose
- ✓ Infinite range of control for air balancing
- ✓ Built-in bushing for quick assembly
- ✓ Hand-operated / No tools needed
- ✓ Bright orange knob provides high visibility

Construction | Materials

Made in the USA

Bracket Prime Galvanized Steel G90.
18 GA. Nom. thickness .0478 Tol. Range
.0438 to .0518.

Handle & Locking Knob Flame Retardent
Engineering Polymer (PA66 or equiv.),
Flammability rating 5VA.

Dimensions | Part Number

- Fits 3/8 in. square bar
- Built-in bushing fits into 3/4 in. hole in duct wall
- (H-102) is a non-standoff regulator

Safety | Quality Guarantee

All materials comply with **SMACNA standards** and are **UL-listed & Plenum-rated**. Handle & Locking knob are **Flame Retardant** Engineering Polymer (PA66) or equiv. as specified in **UL 1995 Standards Code for Heating & Cooling** (CSA-C22.2 No. 238 UL 1995). **Flammability rating 5VA**. Deflection Temp. 450 F @66psi, 380 F @264psi. Tensile Strength @ Break, psi 9500. Tensile Modulus, psi 480,000.

Flame Retardant Polyamide 66 (PA66) Flammability Rating 5VA

Material Dsg	Color	Min Thk mm	Flame Class	H		RTI			H V T R	D 4 9 5	C C I I
				W I	A I	Elec	Mech Imp	Str			
FR50+(f1)	ALL	0.35	V-0	—	—	—	—	—	—	—	—
		0.75	V-0	0	0	130	105	105	—	—	—
	NC	1.5	5VA	0	0	130	115	115	—	—	—
	BK	3.0	5VA	0	0	130	115	120	1	6	2

