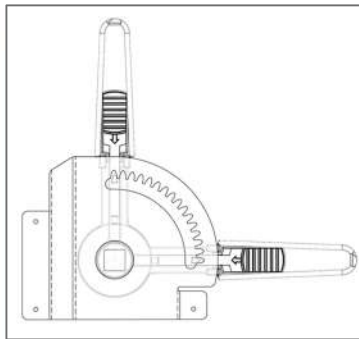


## PRODUCT DATA SHEET



### Features

- ✓ **U.S. Patent #9474919**
- ✓ For Rectangular or Round duct
- ✓ No more wingnuts rattling loose
- ✓ 1-click locking / Hand operated
- ✓ Handle indicates true blade position
- ✓ Bright orange color provides high visibility

### Construction | Materials

#### Made in the USA

**Bracket** Prime Galvanized Steel G90.  
18 GA. Nom. thickness .0478 Tol. Range  
.0438 to .0518

**Handle & Locking Trigger** Flame Retardent  
Engineering Polymer (PA66 or equiv.),  
Flammability rating 5VA

**Spring** Stainless Steel Type 302-OD

**Retaining Ring** Carbon Spring Steel SAE 1074-1075

### Dimensions | Part Number

- Fits 1/2 in square bar
- (H-Mlock) standoff bracket is 2 in..

### Safety | Quality Guarantee

All materials comply with **SMACNA standards**, and are **UL-listed & Plenum-rated**. Handle & Locking trigger are **Flame Retardant** Engineering Polymer (PA66) or equiv. as specified in **UL 1995 Standards Code for Heating & Cooling** (CSA-C22.2 No. 238 UL 1995). **Flammability rating 5VA**. Deflection Temp. 450 F @66psi, 380 F @264psi. Tensile Strength @ Break, psi 9500. Tensile Modulus, psi 480,000.

### Flame Retardant Polyamide 66 (PA66) Flammability Rating 5VA

		Min	H		RTI			H	D		
		Thk	Flame	W	A	Elec	Mech	V	4	C	
Material Dsg	Color	mm	Class	I	I		Imp	Str	R	5	I
FR50+(f1)	ALL	0.35	V-0	—	—	—	—	—	—	—	—
		0.75	V-0	0	0	130	105	105	—	—	—
	NC	1.5	5VA	0	0	130	115	115	—	—	—
	BK	3.0	5VA	0	0	130	115	120	1	6	2

