

SUBMITTAL | PRODUCT DATA SHEETS



Features

- ✓ **Patented design** (U.S. Patent #9474919)
- ✓ **No more wingnuts rattling loose**, wasting energy
- ✓ **No more blades flopping loose**, ruining the air balance
- ✓ **No more leaky bushings** creating more waste
- ✓ **Ensures air system stays balanced**, saving energy
- ✓ **"Speedy Assembly"** saves valuable time in your sheet metal shop. All parts are designed to assemble into a full air volume damper in 90 sec.

Safety | Quality Guarantee

All materials comply with **SMACNA standards** and are **UL-listed & Plenum-rated**. All non-metallic parts are made of **Flame Retardant Engineering Polymer (PA66)** or equiv. as specified in **UL 1995 Standards Code for Heating & Cooling (CSA-C22.2 No. 238 UL 1995)**. **Flammability rating 5VA**. Deflection Temp. 450 F @66psi, 380 F @264psi. Tensile Strength @ Break, psi 9500. Tensile Modulus, psi 480,000.

Construction | Materials

Made in the USA

All Rossi products are designed, engineered and made in the USA.

TABLE OF CONTENTS

Bars (Pg. 2)

Rossi square bars are made of Aluminum and adhere to the strictest industry standards.

Blades (Pg. 2)

Rossi round blades are made of Galvanized steel & adhere to the strictest industry standards.

Bushings (Pgs. 3, 4)

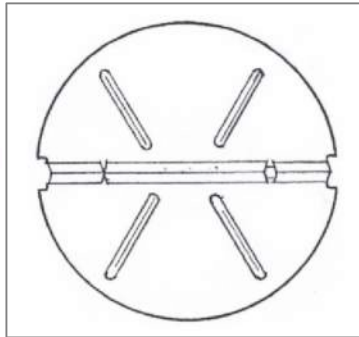
Rossi bushings are made of flame retardant engineering polymer (PA66 or equiv.) with the required fire rating of 5VA.

Regulators (Pgs. 5 - 8)

Rossi regulators are made of Galvanized Steel and flame retardant engineering polymer (PA66 or equiv.) with the required fire rating of 5VA.



PRODUCT DATA SHEET



Features

- ✓ No more blades flopping loose, wasting energy
- ✓ Built-in channel saves assembly time & ensures blade stability in the air current
- ✓ Available with 3/8 in. square bar cut to size
- ✓ No more time wasted attaching bars to blades
- ✓ Stackable to reduce shipping volume & cost (150 blades stack less than 10 in. high)
- ✓ **U-channels** attach RECTANGULAR blades or ROUND blades cut in-house from scrap, onto 3/8 in. or 1/2 in. square bar for use with Rossi regulators & bushings

Construction | Materials

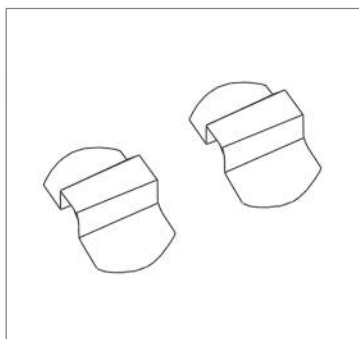
————— **Made in the USA** —————

Blades Galvanized ASTM-A527 LFO G90, Effective strength 18 gauge, made from 20 and 22 gauge material with additional reinforcement added via ribbing engineered throughout the blade

Bars Aluminum 6061

U-Channels Galvanized ASTM-A527 LFO G90, 22 gauge

U-Channels™



Dimensions | Part Number

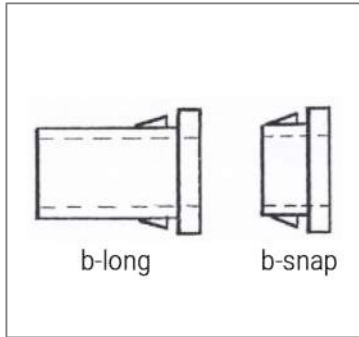
- Blades available for 4 in. to 16 in. round dampers (RD-04 through RD-16)
- Bars are 3/8 in. square
- U-Channels are available for 3/8 in. or 1/2 in. square bar (U-Channel)

Safety | Quality Guarantee

All materials comply with **SMACNA standards** and are **UL-listed & Plenum-rated**.



PRODUCT DATA SHEET



Features | Ratings

- ✓ No more old style bushings with leaky air gaps
- ✓ Available for 3/8 in. or 1/2 in. square bar
- ✓ Snap into duct wall for instant air-tight seal
- ✓ Outperform all leakage standards and competitors
- ✓ Long bushing (B-long) protects duct lining
- ✓ Rated for medium pressure systems (Total System Static Pressure 2"-6" WG or Velocity Range 2000 fpm and up) and low pressure systems (0"-2" WG or 0-2000 fpm for 8 in. round duct)

Construction | Materials

Made in the USA

Made of Flame Retardant Engineering Polymer (PA66 or equiv.), as specified in UL 1995 Standards Code for Heating & Cooling (CSA-C22.2 No. 238 UL 1995). Flammability rating 5VA.

Dimensions | Part Number

- (B-snap) available for 3/8 in. or 1/2 in. square bar
- (B-long) is longer and protects 2 in. insulation
- Snap and lock into 3/4 in. hole in duct wall

Safety | Quality Guarantee

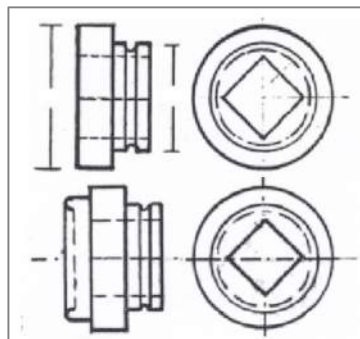
All materials comply with **SMACNA standards** and are **UL-listed & Plenum-rated**. **Flame Retardant Engineering Polymer (PA66)** or equiv. as specified in **UL 1995 Standards Code for Heating & Cooling (CSA-C22.2 No. 238 UL 1995)**. **Flammability rating 5VA**. Deflection Temp. 450 F @66psi, 380 F @264psi. Tensile Strength @ Break, psi 9500. Tensile Modulus, psi 480,000.

Flame Retardant Polyamide 66 (PA66) Flammability Rating 5VA

		Min	H		RTI			H	D		
		Thk	Flame	W	A	Elec	Mech	V	4	C	
Material Dsg	Color	mm	Class	I	I		Imp	Str	R	5	I
FR50+(f1)	ALL	0.35	V-0	—	—	—	—	—	—	—	—
		0.75	V-0	0	0	130	105	105	—	—	—
	NC	1.5	5VA	0	0	130	115	115	—	—	—
	BK	3.0	5VA	0	0	130	115	120	1	6	2



PRODUCT DATA SHEET



Features | Ratings

- ✓ No more old style bushings with leaky air gaps
- ✓ Clip & lock into duct for instant air-tight seal
- ✓ Outperform all leakage standards and competitors
- ✓ Washer & clip eliminate leakage and secure the bushing
- ✓ Rated for high pressure systems (6" WG and up or 2000 fpm and up for 8 in. round duct)

Construction | Materials

Made in the USA

Bushing Flame Retardent Engineering Polymer (PA66 or equiv.), as specified in UL 1995 Standards Code for Heating & Cooling (CSA-C22.2 No. 238 UL 1995). Flammability rating 5VA

O-Ring Vulcanized Fiber ASTM D710

E-Clip SE-74ST or E-75ST (Retaining Ring)

Dimensions | Part Number

- Available for 3/8 in. square bar
- Clips-on into 3/4 in. hole in duct wall
- (B-300) is Open-End, (B 330) is Closed-End

Safety | Quality Guarantee

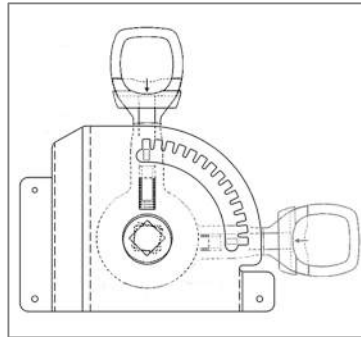
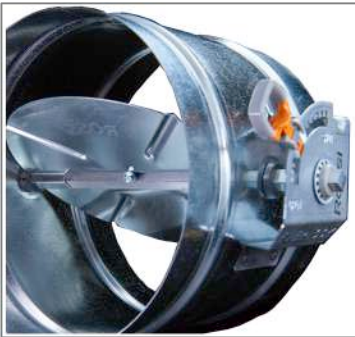
All materials comply with **SMACNA standards** and are **UL-listed & Plenum-rated**. **Flame Retardant Engineering Polymer (PA66)** or equiv. as specified in **UL 1995 Standards Code for Heating & Cooling (CSA-C22.2 No. 238 UL 1995)**. **Flammability rating 5VA**. Deflection Temp. 450 F @66psi, 380 F @264psi. Tensile Strength @ Break, psi 9500. Tensile Modulus, psi 480,000.

Flame Retardant Polyamide 66 (PA66) Flammability Rating 5VA

Material Dsg	Color	Min Thk mm	Flame Class	RTI					H	D		
				W	A	Elec	Mech		V	4	C	
							Imp	Str	T	9	T	
FR50+(f1)	ALL	0.35	V-0	—	—	—	—	—	—	—	—	—
		0.75	V-0	0	0	130	105	105	—	—	—	—
	NC	1.5	5VA	0	0	130	115	115	—	—	—	—
	BK	3.0	5VA	0	0	130	115	120	1	6	2	—



PRODUCT DATA SHEET



Features

- ✓ **U.S. Patent #9474919**
- ✓ No more wingnuts rattling loose
- ✓ The original, self-locking regulator
- ✓ 1-click locking / Hand operated / No tools
- ✓ Handle indicates true blade position
- ✓ Bright orange color provides high visibility

Construction | Materials

Made in the USA

Bracket Prime Galvanized Steel G90.
18 GA. Nom. thickness .0478 Tol. Range
.0438 to .0518

Handle & Locking Trigger Flame Retardent
Engineering Polymer (PA66 or equiv.),
Flammability rating 5VA

Spring Stainless Steel Type 302-OD

Retaining Ring Carbon Spring Steel SAE 1074-1075

Safety | Quality Guarantee

All materials comply with **SMACNA standards** and are **UL-listed & Plenum-rated**. Handle & Locking trigger are **Flame Retardant** Engineering Polymer (PA66) or equiv. as specified in **UL 1995 Standards Code for Heating & Cooling** (CSA-C22.2 No. 238 UL 1995). **Flammability rating 5VA**. Deflection Temp. 450 F @66psi, 380 F @264psi. Tensile Strength @ Break, psi 9500. Tensile Modulus, psi 480,000.

Dimensions | Part Number

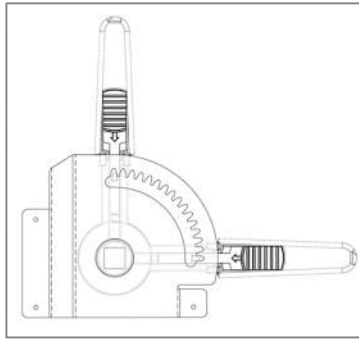
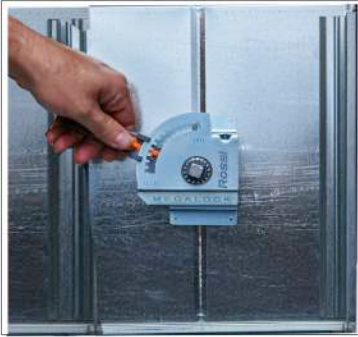
- Fits 3/8 in. square bar
- Standoff bracket available in 2 in.(H-Elock2) or
- 1.5 in. (H-Elock)

Flame Retardant Polyamide 66 (PA66) Flammability Rating 5VA

		Min	H		RTI			H	D		
		Thk	Flame	W	A	Elec	Mech	V	4	C	
Material Dsg	Color	mm	Class	I	I		Imp	Str	R	5	I
FR50+(f1)	ALL	0.35	V-0	—	—	—	—	—	—	—	—
		0.75	V-0	0	0	130	105	105	—	—	—
	NC	1.5	5VA	0	0	130	115	115	—	—	—
	BK	3.0	5VA	0	0	130	115	120	1	6	2



PRODUCT DATA SHEET



Features

- ✓ **U.S. Patent #9474919**
- ✓ For Rectangular or Round duct
- ✓ No more wingnuts rattling loose
- ✓ 1-click locking / Hand operated
- ✓ Handle indicates true blade position
- ✓ Bright orange color provides high visibility

Construction | Materials

Made in the USA

Bracket Prime Galvanized Steel G90.
18 GA. Nom. thickness .0478 Tol. Range
.0438 to .0518

Handle & Locking Trigger Flame Retardent
Engineering Polymer (PA66 or equiv.),
Flammability rating 5VA

Spring Stainless Steel Type 302-OD

Retaining Ring Carbon Spring Steel SAE 1074-1075

Safety | Quality Guarantee

All materials comply with **SMACNA standards**, and are **UL-listed & Plenum-rated**. Handle & Locking trigger are **Flame Retardant** Engineering Polymer (PA66) or equiv. as specified in **UL 1995 Standards Code for Heating & Cooling** (CSA-C22.2 No. 238 UL 1995). **Flammability rating 5VA**. Deflection Temp. 450 F @66psi, 380 F @264psi. Tensile Strength @ Break, psi 9500. Tensile Modulus, psi 480,000.

Dimensions | Part Number

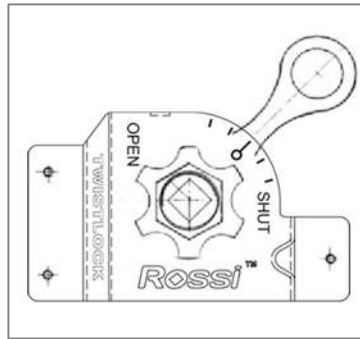
- Fits 1/2 in square bar
- (H-Mlock) standoff bracket is 2 in..

Flame Retardant Polyamide 66 (PA66) Flammability Rating 5VA

		Min	H		RTI			H	D		
		Thk	Flame	W	A	Elec	Mech	V	4	C	
Material Dsg	Color	mm	Class	I	I		Imp	Str	R	5	I
FR50+(f1)	ALL	0.35	V-0	—	—	—	—	—	—	—	—
		0.75	V-0	0	0	130	105	105	—	—	—
	NC	1.5	5VA	0	0	130	115	115	—	—	—
	BK	3.0	5VA	0	0	130	115	120	1	6	2



PRODUCT DATA SHEET



Features

- ✓ No more wingnuts rattling loose
- ✓ Infinite range of control for air balancing
- ✓ Polymer knob grips metal for superior lock
- ✓ Handle indicates true blade position
- ✓ Hand-operated / No tools needed
- ✓ Bright orange knob provides high visibility

Construction | Materials

Made in the USA

Bracket Prime Galvanized Steel G90. 18 GA. Nom. thickness .0478 Tol. Range .0438 to .0518. Also available in Stainless Steel or Aluminum

Handle & Locking Knob Flame Retardent Engineering Polymer (PA66 or equiv.), Flammability rating 5VA

Dimensions | Part Number

- Fits 3/8 in. square bar
- Standoff available in 2 in. (H-200) or 1.5 in. (H-150).
- Also available in Stainless Steel (H-200SS) or Aluminum (H-200A)

Safety | Quality Guarantee

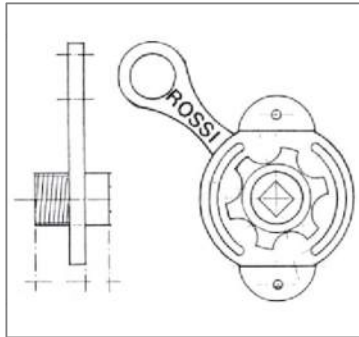
All materials comply with **SMACNA standards** and are **UL-listed & Plenum-rated**. Handle & Locking knob are **Flame Retardant** Engineering Polymer (PA66) or equiv. as specified in **UL 1995 Standards Code for Heating & Cooling** (CSA-C22.2 No. 238 UL 1995). **Flammability rating 5VA**. Deflection Temp. 450 F @66psi, 380 F @264psi. Tensile Strength @ Break, psi 9500. Tensile Modulus, psi 480,000.

Flame Retardant Polyamide 66 (PA66) Flammability Rating 5VA

Material Dsg	Color	Min Thk mm	Flame Class	RTI					H	D	
				W	A	Elec	Mech		V	4	C
							Imp	Str	R	5	I
FR50+(f1)	ALL	0.35	V-0	—	—	—	—	—	—	—	—
		0.75	V-0	0	0	130	105	105	—	—	—
	NC	1.5	5VA	0	0	130	115	115	—	—	—
	BK	3.0	5VA	0	0	130	115	120	1	6	2



PRODUCT DATA SHEET



Features

- ✓ No more wingnuts rattling loose
- ✓ Infinite range of control for air balancing
- ✓ Built-in bushing for quick assembly
- ✓ Hand-operated / No tools needed
- ✓ Bright orange knob provides high visibility

Construction | Materials

Made in the USA

Bracket Prime Galvanized Steel G90.
18 GA. Nom. thickness .0478 Tol. Range
.0438 to .0518.

Handle & Locking Knob Flame Retardent
Engineering Polymer (PA66 or equiv.),
Flammability rating 5VA.

Dimensions | Part Number

- Fits 3/8 in. square bar
- Built-in bushing fits into 3/4 in. hole in duct wall
- (H-102) is a non-standoff regulator

Safety | Quality Guarantee

All materials comply with **SMACNA standards** and are **UL-listed & Plenum-rated**. Handle & Locking knob are **Flame Retardant** Engineering Polymer (PA66) or equiv. as specified in **UL 1995 Standards Code for Heating & Cooling** (CSA-C22.2 No. 238 UL 1995). **Flammability rating 5VA**. Deflection Temp. 450 F @66psi, 380 F @264psi. Tensile Strength @ Break, psi 9500. Tensile Modulus, psi 480,000.

Flame Retardant Polyamide 66 (PA66) Flammability Rating 5VA

Material Dsg	Color	Min Thk mm	Flame Class	RTI					H	D	
				W I	A I	Elec	Mech		V	4	C
							Imp	Str	T	9	T
FR50+(f1)	ALL	0.35	V-0	—	—	—	—	—	—	—	—
		0.75	V-0	0	0	130	105	105	—	—	—
	NC	1.5	5VA	0	0	130	115	115	—	—	—
	BK	3.0	5VA	0	0	130	115	120	1	6	2

