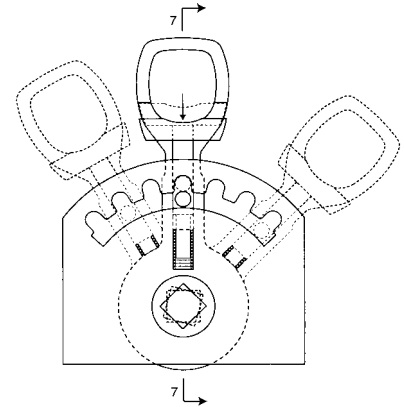


Rossi products adhere to all UL requirements, Plenum ratings and SMACNA standards for manual dampers; and comply with NFPA 90A & 90B.

EVERLOCK (*patent pending*) – Self locking damper handle. Created to replace the less reliable *friction* locks on the market with the first *positive* (absolute) lock. Fully hand operational without the need for any tools.



**1) BRACKET**

**MATERIAL:** Cold Rolled Steel / ASTM A – 1008, 18 GA. Nom. thickness .0478 Tol. Range .0438 to .0518. The bracket is manufactured in a single cut & formed process, using a progressive Die, Designed for use with both 1.5” and 2” wrapping or any other such stand-off applications. Completed with a white Chromate plating process which provides durable corrosion resistance. Auto Plating = ASTM B-633 TYPE II (white) Class FEVZN8 or SC2 Thickness .0003.

**2) HANDLE & THUMB TRIGGER**

**MATERIAL:** Polyamide 66 (PA66), Flame Retardant, Glass Reinforced Engineering Polymer, (PA66) or equivalent. This is the material outlined for use in all Non-Metallic Components as specified in the UL 1995 Standards Code for Heating & Cooling (CSA-C22.2 No. 238 UL 1995) with the required flammability rating of 5VA.

**PA66 Specifications:**

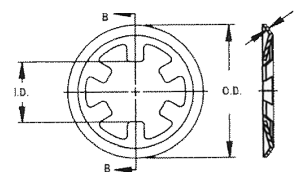
Tensile Modulus, psi	Tensile Strength @ Break, psi	Deflection Temp, °F	Impact Strength, Ft-Lb/In	Flexural Modulus, psi	Flexural Strength @ Break, psi	Elongation @ Yield
480,000	9,500	450° @ 66 psi 380° @ 264 psi	Notched IZOD: 4.00 Unnotched IZOD: 16.00	330,000	12,000	7%

**Polyamide 66 (PA66), Flame Retardant, Glass Reinforced, designated “Zytel” furnished as pellets.**

Material Dsg	Color	Min Thk mm	Flame Class	H		RTI			H	D	C
				W	A	Elec	Mech	V	4		
				I	I	Imp	Str	T	9	T	
FR50+(f1)	ALL	0.35	V-0	—	—	—	—	—	—	—	—
		0.75	V-0	0	0	130	105	105	—	—	—
	NC	1.5	5VA	0	0	130	115	115	—	—	—
BK	3.0	5VA	0	0	130	115	120	1	6	2	

**3) COMPRESSION SPRING**

**MATERIAL:** Stainless Steel Type 302-OD .25 WIRE .026 free length = 7/8” (.875 in). COILS 10 – CLOSED NOT GROUND.



**4) RETAINING RING: EXT.SELF-LOCK TX-75ST-ZF**

**MATERIAL:** Carbon Spring Steel SAE 1074-1075 with Zink Bright Plating. C-SCALE Rockwell Hardness 47 to 51. Country of Origin: U.S.A.



Proudly made in the USA.

[www.RossiHardware.com](http://www.RossiHardware.com)